

ELD device from **LogIT ELD** is registered with the Federal Motor Carrier Safety Administration (FMCSA)

LogIT ELD cab card

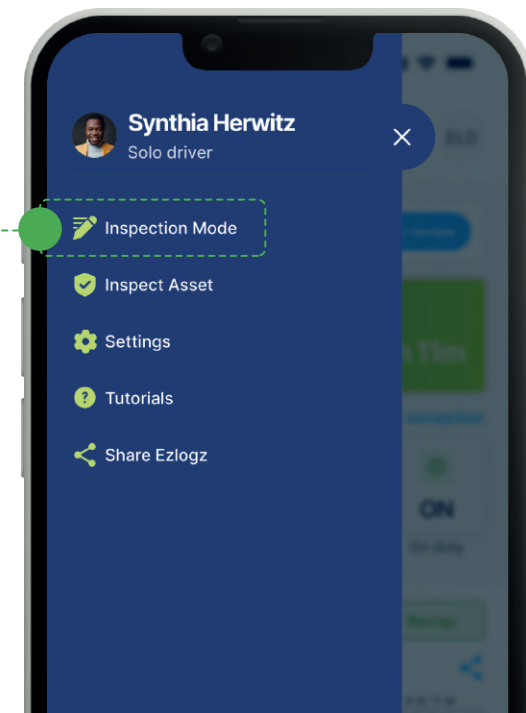
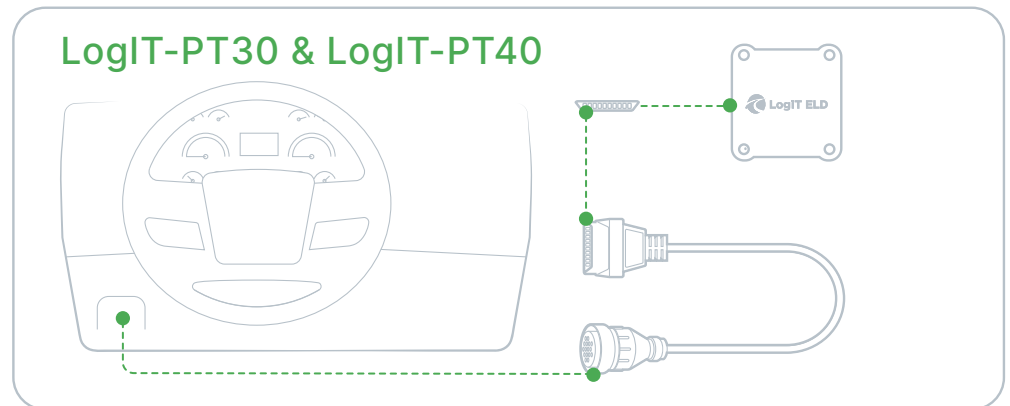
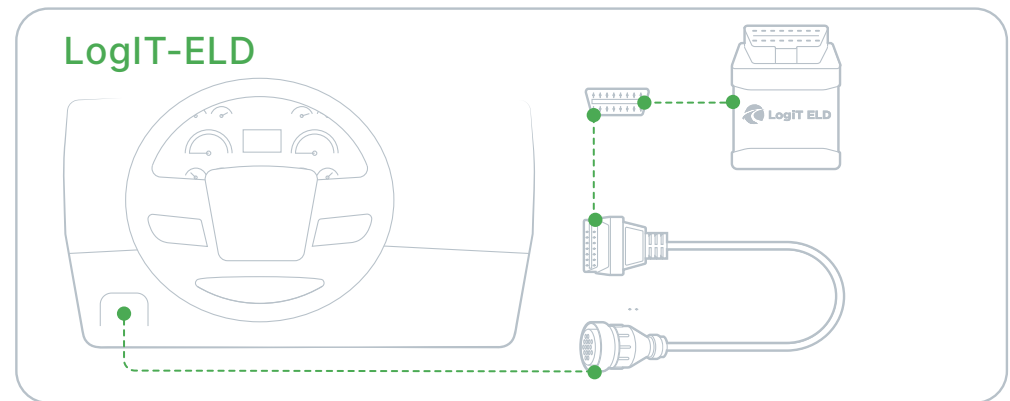
ELD device from **LogIT ELD** plugs into the OBD port and is synchronized with the vehicle engine. LogIT ELD application allows drivers to view and interact with their logs via Smartphone/Ipad, or Tablet. Drivers cannot edit driving time as engine Data and maneuvers are automatically recorded.

Inspection:

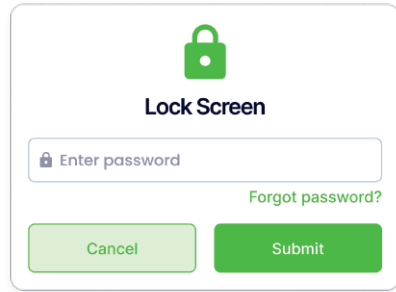
- ① Officer inspection mode (Display mode)
 - a) In the left side menu select **“Inspection mode”**
 - b) Enter your password to lock out your personal information

Officer can inspect the last 7 days, and the current 8th day in the inspection mode are automatically recorded.
- ② Data transfer options
 - a) EROD “telematics” output file
 - b) Send data logs via email in pdf format
 - c) Bluetooth local transfer

! This instruction sheet is required to be kept onboard and available to present during inspection per FMCSA 49 FR 395. 15(h) and 395.22(h). An electronic cab-card is available by clicking (?) in Inspection mode.



Inspection Mode



Open and exit inspection mode

View next/previous days logs

Driver, carrier & vehicle info

Tap share button so send PDF

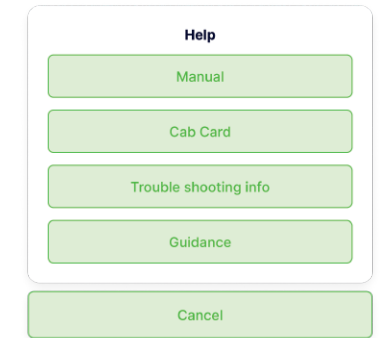
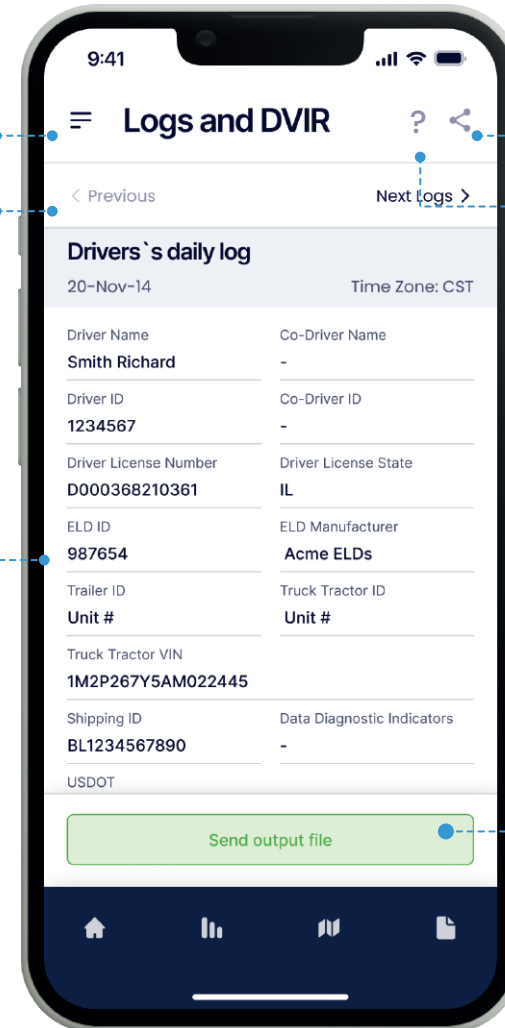
If a system error occurs driver is instructed to:

- 1 Provide a written notice to the carrier within 24 hours
*Carrier must notify LogIT ELD immediately
- 2 Maintain paper rods on board in such event and utilize them until ELD is back in service.

Carrier is required to:

- 3 Repair or replace the malfunctioning ELD within 8 business days of discovering the issue.

Please keep this AOBRD/ELD inspector cab card in your vehicle at all times



Tap to send output file

